

VENTED TYPE 3R ENCLOSURES FOR FLANGE-MOUNTED DISCONNECT

Enclosure Product Code N3

Catalog No.	Height (A)	Width (B)	Depth (C)	Fan Size	Fan Qty	System CFM	Filter Size	Filter Qty	Industry Standard	Subpanel
SCE-47XVR2514	47.00	25.38	14.00	10"	1	300	FLT66	2	IS7	SCE-42P24
SCE-53XVR3716	53.00	37.38	16.00	10"	1	300	FLT88	2	IS7	SCE-48P36
SCE-53XVR3720	53.00	37.38	20.00	10"	2	600	FLT88	2	IS7	SCE-48P36
SCE-65XVR3716	65.00	37.38	16.00	10"	2	600	FLT88	2	IS7	SCE-60P36
SCE-65XVR3720	65.00	37.38	20.00	10"	2	600	FLT88	2	IS7	SCE-60P36

Application

Designed to house electrical controls, drives, instruments and components used in an outdoor environment to provide a degree of protection for the equipment inside the enclosure against ingress of solid foreign objects (falling dirt); and provide a degree of protection with respect to the harmful effects on the equipment due to the ingress of water (rain, sleet, snow). Designed to house most standard disconnects. For installation information, consult our installation manual at www.saginawcontrol.com

Construction

- 0.075" galvanized steel.
- 3-point latching mechanism.
- Provisions for subpanel.
- Doors open 180 degrees.
- Disconnect cutout provided on flange.
- Concealed hinges.
- Vented top hood with removable cover and washable reusable filter.
- Top-mounted fans.
- Vented rain hood with filter kits in door.
- Din Rail mounting provisions inside top for installation of thermostat and terminals.
- Pour in place oil and water resistant gasket.
- Ground studs on door and body.
- Mounting holes for optional mounting straps.
- 3/8-16 grounding kit.
- Subpanel mounting hardware included.
- 115 volt fan.
- Black zinc die cast coinproof/padlocking handle.
- Provision for Lifting Lugs included on enclosures with Height >48" and with Depth >16". Lifting Lug assembly will be included with the enclosure bolt pack and hole plugs provided to seal holes in bottom of enclosure.

Disconnect switch (or circuit breaker) and operating mechanism are not furnished with this enclosure.

Finish

ANSI-61 gray powder coated inside and out. Optional subpanels powder coated white.

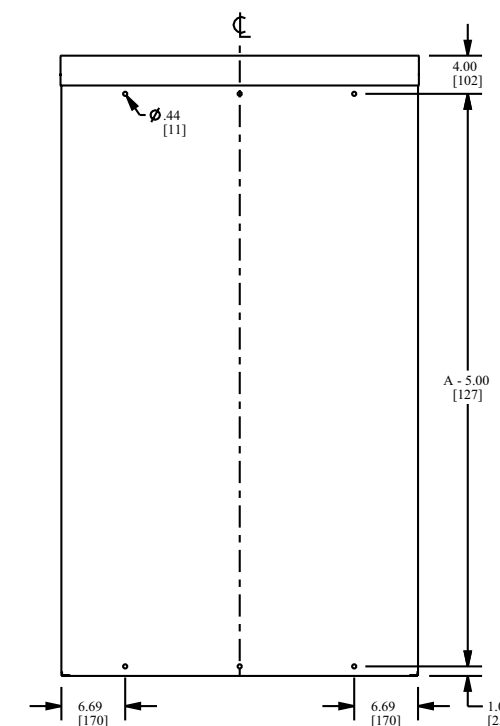
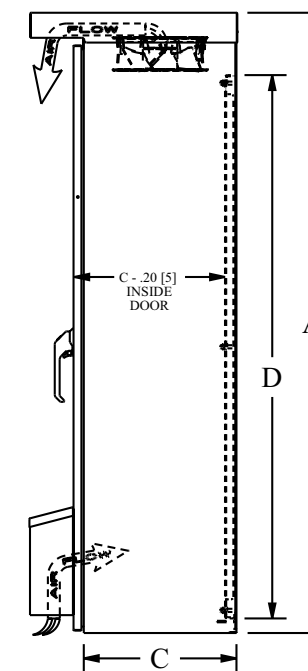
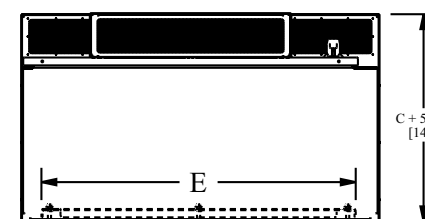
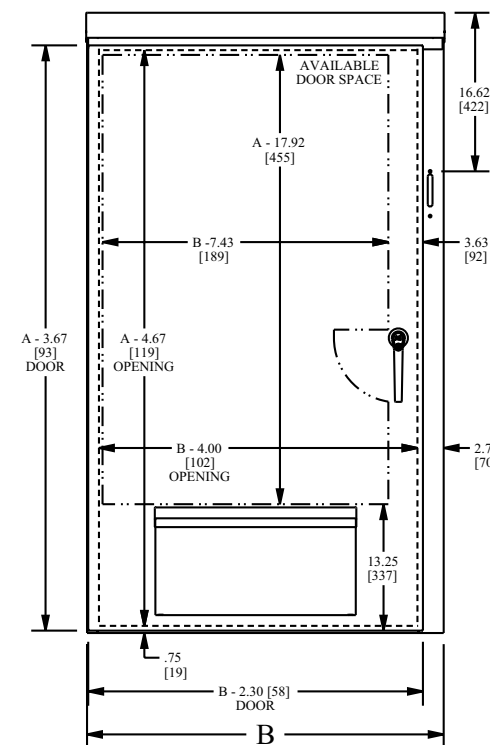
IS7 Industry Standards

NEMA Type 3R
UL Listed Type 3R
CSA Type 3R
IEC 60529 IP32



VENTED TYPE 3R ENCLOSURES FOR FLANGE-MOUNTED DISCONNECT

TECHNICAL DATA



REAR OF ENCLOSURE